

I-BUILT™

Building Systems

August 2015

I-Built™ J-Ply Bracing

Bracing Types

Brace Code	Brace Type	Min Brace Length	BU's per m (Wind)	BU's per m (EQ)
JP1 0.4m	7mm J-Ply 1 Side + Hold down brackets	0.4m	70	80
JP1 0.6m	7mm J-Ply 1 Side + Hold down brackets	0.6m	100	95
JP1 1.2m	7mm J-Ply 1 Side + Hold down brackets	1.2m	120	140
JPG 0.4m	7mm J-Ply 1 Side with 10mm Gib® Standard plasterboard lining other side + Hold down brackets	0.4m	100	100
JPG 1.2m	7mm J-Ply 1 Side with 10mm Gib® Standard plasterboard lining other side + Hold down brackets	1.2m	150*	135*

***Note:** Bracing Panels must not exceed 120 BU/m when used on a timber framed floor or 150 BU/m when on a concrete floor slab/concrete perimeter foundation wall as per NZS3604:2011 Section 5.4.2.
These bracing values can also be applied to any F8 Structural J-Ply panel with a minimum thickness of 7mm

Bracing Panel fixing notes

- J-Ply Bracing elements are to be fixed into min 90 x 45 SG8 framing with maximum centres of 600mm and that complies with NZS3604:2011 and the New Zealand Building Code.
- J-Ply Bracing elements must meet NZBC B2 Durability requirements and should be treated to H3.2 (CCA) when used in high moisture areas or used externally. Untreated J-Ply bracing can be used in interior bracing applications.
- Sheets should be fixed using 50mm x 2.8mm Galvanised flat head nails for direct fixing to framing at 150mm centres around the perimeter of the element and at 300mm centres through the centre. Use 60mm x 2.8mm flat head nails when fixing over cavity battens. Screw fixings are not to be used.
- Minimum of Hot dipped galvanised nails are to be used when in contact with H3.2 CCA treated timber. In some instances stainless steel fixings may be required depending on the situation or exposure zone. When stainless steel fixings are used they must be annular grooved.
- GIB Handibrac® hold-down fixings must be installed in accordance with the manufacturers fixing details for timber or concrete floors to ensure bracing values are achieved. Refer to the installation details.
- A 3mm gap should be allowed for between J-Ply sheet edges to allow for any expansion in the J-Ply sheet.

Note: Bracing Units are based on P21 testing conducted by Scion and the EWPAA on behalf of JNL.

For further information on any of the I-Built™ product range and their performance, please contact the NZWOOD technical team on 0800 022 352

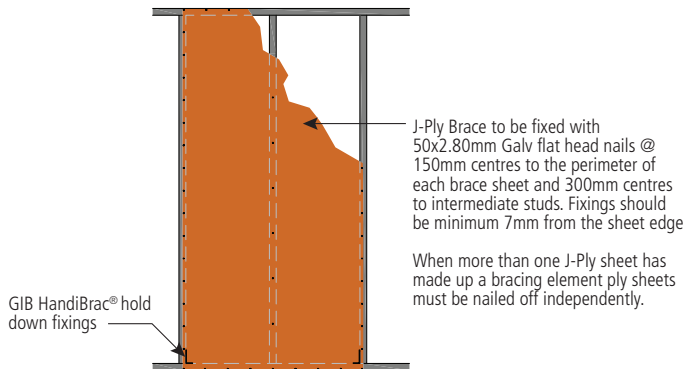


J-Ply F8 Structural Plywood

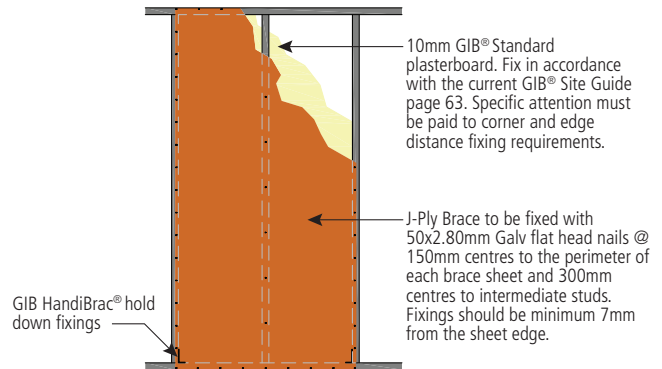
J-Ply plywood is manufactured in New Zealand by Juken New Zealand Limited (JNL) and marketed by New Zealand Wood Products (NZWOOD) Limited. This guide outlines how to use J-Ply in bracing applications, provides fixing requirements and installation guidelines. It is important to consult the New Zealand Building Code (NZBC) and either contact NZWOOD for detailed engineering questions or consult your engineer or local council.

All Structural J-Ply is independently certified by the Engineered Wood Products Association of Australasia (EWPA). In addition all J-Ply plywood is Forest Stewardship Council™ (FSC) certified which provides assurance that the plywood is produced from well managed forests and other responsible sources. FSC certification assists institutions in gaining the green star rating required for government and educational facilities when required.

Installation of I-Built J-Ply Bracing Sheets



JP1 – J-Ply Structural Brace 1 side



JPG – J-Ply Structural Brace 1 side with 10mm GIB® Standard plasterboard lining other side

J-Ply Bracing panels should be fixed using 50mm x 2.8mm Galvanised flat head nails at 150mm centres around the perimeter of the sheet and at 300mm centres through the centre. J-Ply must be installed on timber framing constructed in accordance with the NZBC to meet Clause B1 Structure and Clause B2 Durability.

(Timber framing constructed to the requirements of NZS3604:2011 and treated to meet NZS3602:2003 will meet the requirements of the NZBC).

GIB® Plasterboard for J-Ply Brace

GIB® plasterboard when installed as bracing must be installed in accordance with GIB® Bracing System specifications as detailed in the current GIB® Site Guide. Failure to follow GIB® Bracing System specifications could result in the bracing panel not achieving the required bracing resistance.

GIB® sheets may be installed vertically or horizontally, with sheet edges touching, joints stopped and reinforced in accordance with the GIB® Site Guide. Fix using 35mm x 6g GIB® screws @ 150mm crs to the perimeter of the sheet with corners fixed at 50, 100, 150, 225 and 300mm crs from all corners. Fix screws @ 300 crs on intermediate supports as per GIB® Site Guide page 63.

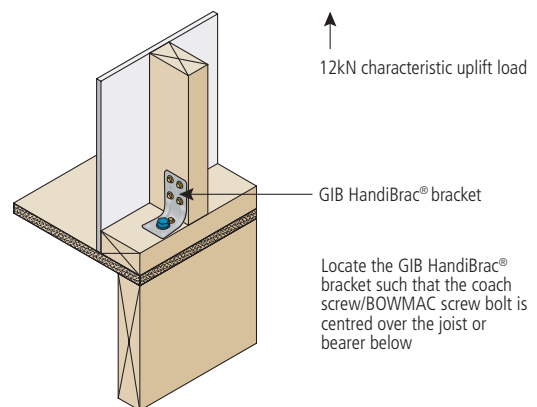


All products and relative statements within this document are subject to the applicable products being installed in accordance with information mentioned, and subject to any governing codes of practice. New Zealand Wood Products retains the right to change specifications without notice. Every care has been taken in preparing the information contained within this publication, however, the company cannot accept responsibility for any inaccuracies that may have arisen, and cannot accept liability for loss or damage (either direct or consequential) arising out of or in relation to use or application of the said information.

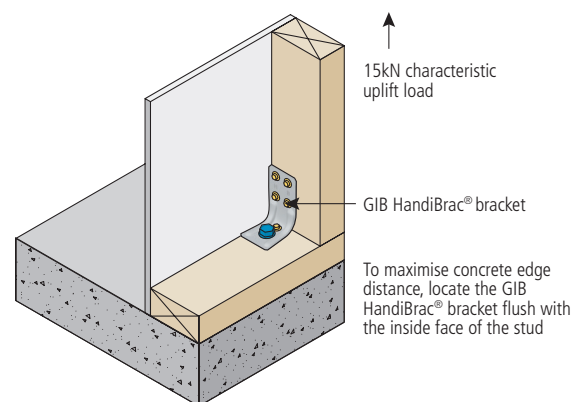
No part of this publication may be reproduced without prior written consent of New Zealand Wood Products Limited.

The information contained in this brochure relates to specific J-Ply products manufactured by Juken New Zealand Limited. The span tables cannot be applied to other plywood products however similar they appear.

GIB HandiBrac® Installation



Timber floor – External wall



Concrete floor – External wall

NZWOOD

NEW ZEALAND WOOD PRODUCTS LIMITED

PO Box 13647, Onehunga, Auckland 1643

Tech Info Line: 0800-022-352

Phone: +64-9-276 7030

Fax: +64-9-270 0504

Email: sales@nzwoodproducts.co.nz

www.nzwoodproducts.co.nz